



VxJet 9x/18x

Integrated Valve Jet Printheads



VxJet 9x/18x

Integrated Valve Jet Printheads

Features and Benefits:



Industrial Valve Printhead design features 100% environmentally sealed aluminum housings and stainless steel faceplates for long lasting results in demanding environments.

System Control & Ink Delivery Hub design allows a single system to power and supply ink to multiple printheads on separate lines while maintaining system controls safely away from the production line.

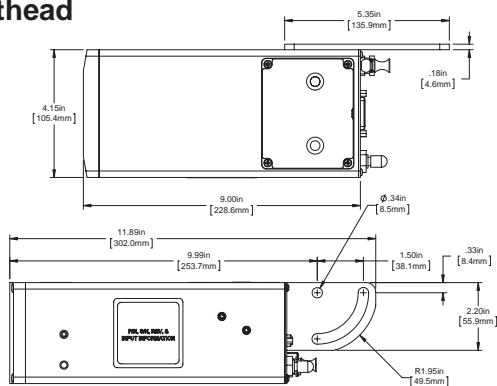
Autocode Message Creation offers built-in code formats such as date codes, lot codes and batch codes to quickly develop messages for printing.

Wide Ink Variety including water and alcohol based formulations are available to print on almost any type of surface including corrugate, plastic, metal, wood, gypsum and PVC.

System Specifications:

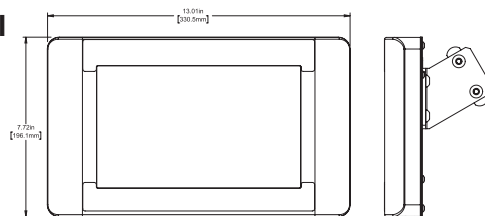
| | |
|----------------------|--|
| Controller | Marksman HMI |
| Connectivity | 1-Ethernet, 1-USB, 2-RS232 |
| Print Height | 5/18" to 7/8" (9x), 5/18" to 2" (18x) |
| Lines of Print | Up to 3 stacked lines (18x) |
| Print Technology | Drop on Demand, Solenoid, 1000hz |
| Print Speed | Up to 650 fpm |
| Print Orientation | 360° for Top, Side and Bottom Printing |
| Ink Type | Porous or Non-Porous |
| Throw Distance | Up to 1/2" |
| Operating Conditions | Temperature: 40° - 104° F (5° - 40° C); Relative Humidity: 10% - 90% (non-condensing) |
| Ink Delivery | VxJet IDS Large Bulk Supply Supports Multiple Printheads |
| Ink Supplies | 5 Gallon Pails |
| Substrates | Porous and Non-Porous |
| Autocodes | Time, Date, Use By, Julian, Count, Shifts, Variable Input, User Defined |

Dimensions: 9x Printhead



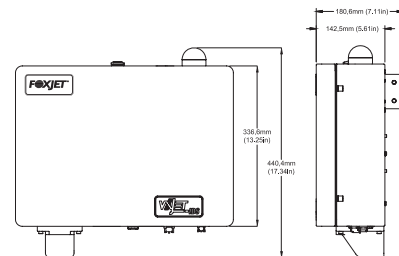
Dimensions:

Marksman HMI



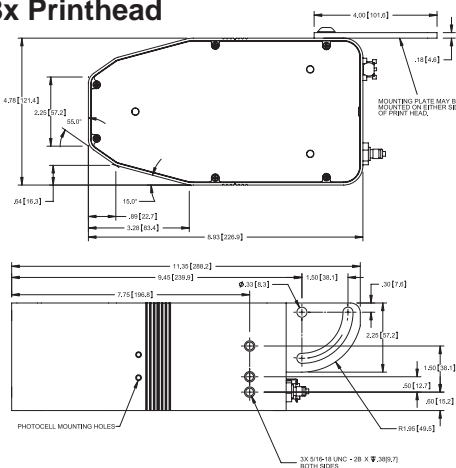
Dimensions:

VxJet IDS



Dimensions:

18x Printhead



videos

inkjet coders



product info

scan me



2031 Carolina Place Drive • Fort Mill, SC 29708
Ph: 803-831-2099 • www.pak-tec.com • PTinfo@pak-tec.com