

Colamark



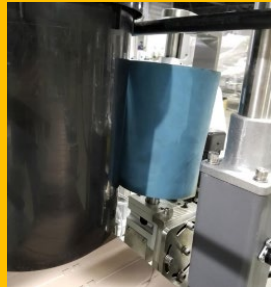
Colamark Large Pail Wrap Labeler

Designed for wrap around labeling on Large Pails up to 5 gallons.

The A107WS uses a pneumatic fork to hold the pail with 3-point contact during rotation of empty or filled pails.

Featured with low profile design for ergonomic comfort, registration control, extra-large driving roller, adapting roller tilt adjustment, x/y backing roller adjustment, tapered adapting roller, and extra structural strength.

Optional lifting rotation table for fully filled pails of heavy weight. optional automatic handle lifter

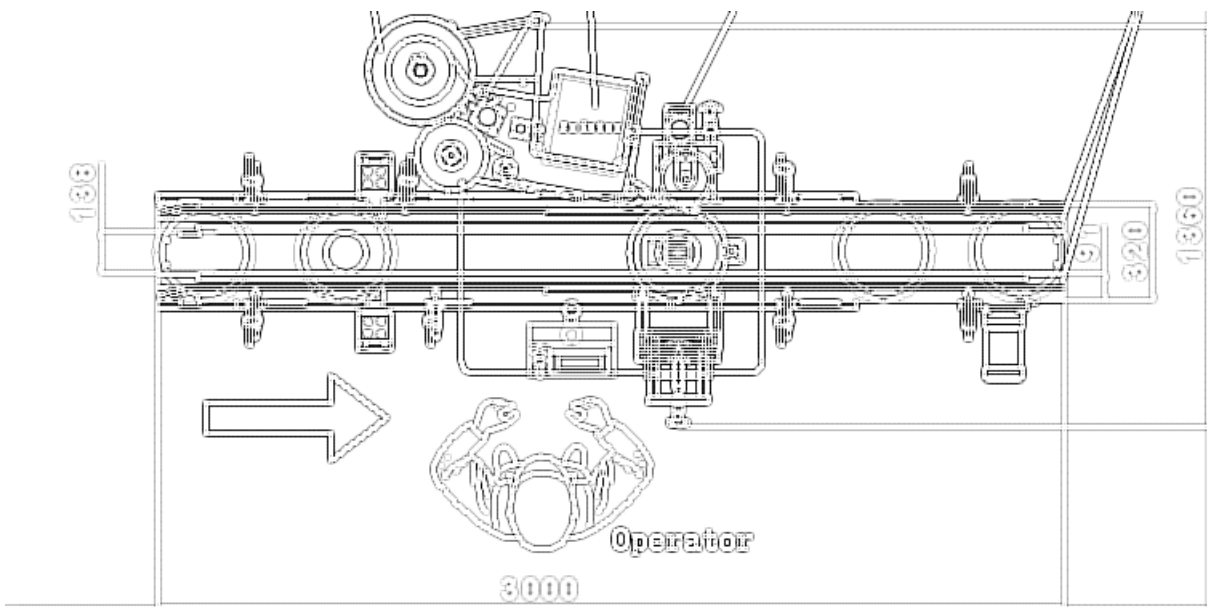


Features:

- Handle registration sensor
- Adjustable dual roller fork assembly to accommodate varying pail diameters.
- 3-point contact rotation to ensure alignment and placement accuracy.
- Single or dual labeling
- Optional coding flexibility- TTO TIJ CIJ
- Stainless Steel/ Anodized aluminum construction
- Siemens PLC controlled

Specifications:

- Capacity: 20 – 25 pails per minute (based on 5-gallon pails)
- Label width: Up to 8", optional 12" labeling capability available.
- Precision: +/- 1mm
- Power: 110VAC, 20A



Case Sealing



Robotic Palletizing



Labeling



Custom Packaging Lines



Inkjet Coding