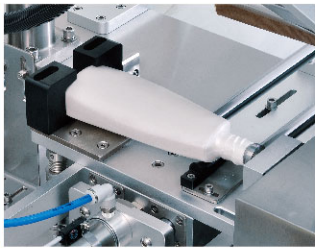


# Colamark

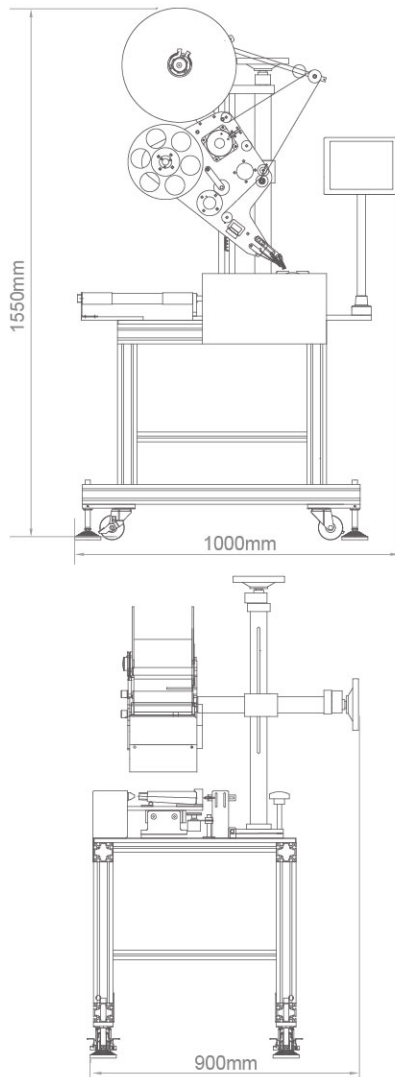


Distributed by  
**PAK**



## Colamark A521 Semi-auto Labeling Machine for Flat Bottles

A521 is designed for simple labeling application on flat bottles for the cosmetics, personal care products, and medical products industries.



## Features

- Extra precision and labeling quality is achieved by a holding jig which holds the object at both the bottom and the top with pneumatic assistance to achieve stability and placement consistence. The jig is then moved horizontally and the label is wiped on to eliminate any possibility of air bubbles.
- Optical sensor detection, labeling dispensing and adaptation in one shot
- Pneumatically controlled jig movement for smooth labeling. Jig can be changed easily to cater for different bottle shapes.
- User-friendly interface with easy-to-use operation menus and comprehensive functions including on-line help menus, up to 50 sets of pre-set parameters, various alert and fault indication messages, label quantity management and Chinese/English interface etc.
- Other options
  - Hot-stamping code for synchronized coding
  - Wide labeling engine

Machine Model	A521
Labeling capacity	40 bpm (depending on bottle and label sizes)
Labeling precision	±0.1mm(Not including errors from materials)
Working air pressure	0.4-0.6Mpa
Machine dimensions	(L)1,000 mm × (W) 900 mm × (H)1,550 mm
Power Consumption	220VAC±5% 50Hz 0.8kW

(Custom engineered solutions are available to cater for customer's special needs.)