

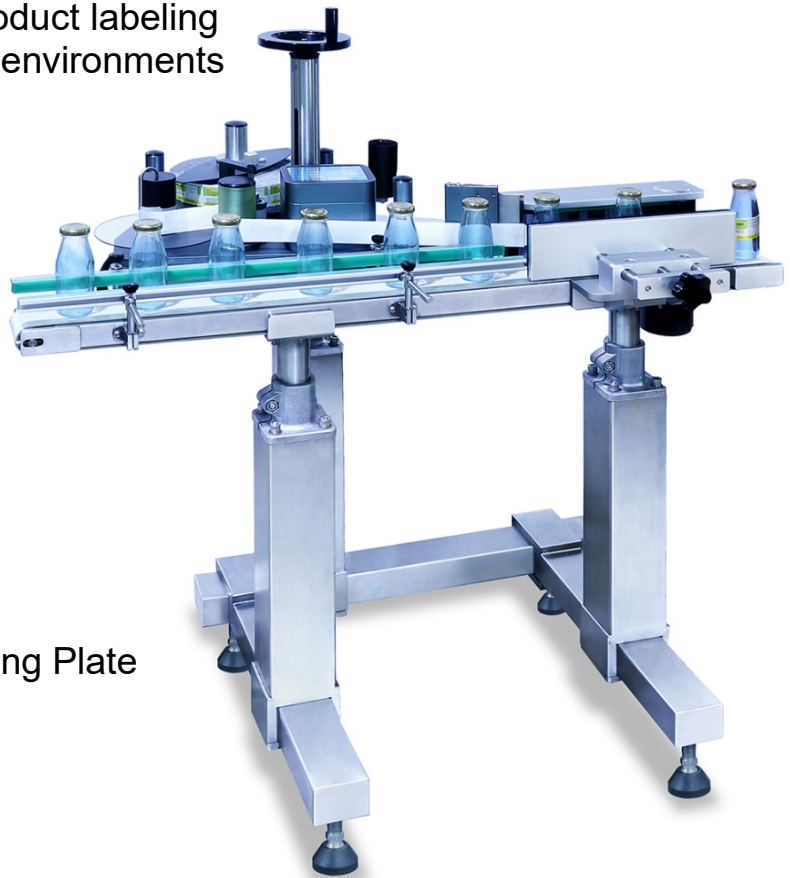
FX101W Wrap Belt Labeling System

The FX101W is a compact, general purpose integrated vertical wrap labeling system. The system is designed for preprinted, pressure sensitive label application to round product.

- Ideal for off-line, handle loaded product labeling
- Small footprint for tight production environments
- Easy to operate touch screen HMI
- Easy to maintain
- Modular construction

Standard Features

- LS150 6" Labeling Engine
- 30mm (12") OD Roll Capacity
- 75mm (3") ID Core
- 150mm (6") Media Width
- Casters
- Stepper Drive, 30M/minute
- 120mm x 1 M Conveyor Belt
- 150mm Wide Wrap Belt and Backing Plate
- Touch Screen HMI
- 50 Memory Presets
- Anodized Aluminum Construction
- 101 VAC/20A Power



Case Sealing



Robotic Palletizing



Labeling



Custom Packaging Lines



Inkjet Coding